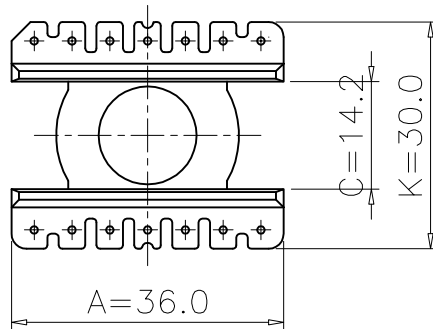
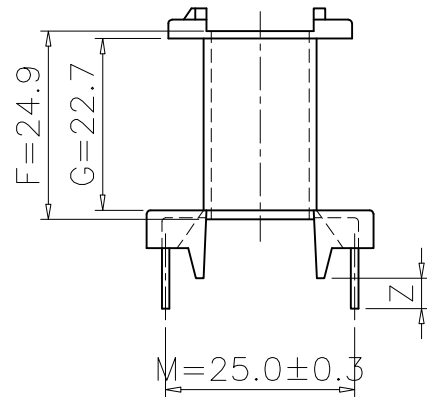
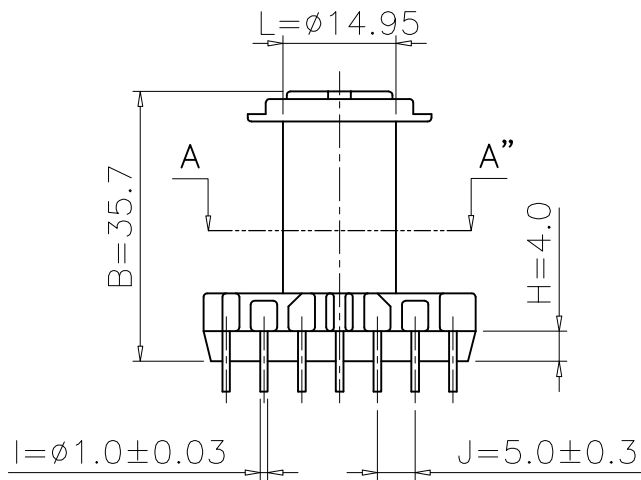


SECTION A-A"



④					
③					
②					
①					

MARK	REVISION NOTE	DATE	DRAWN	CHECKED	APPROVED
------	---------------	------	-------	---------	----------

DRAWN	CHECKED	APPROVED	MATERIAL : PHENOL	UL REC. : UL94V-0	THIRD ANGLE PROJ.	SCALE : 1/1
Moon Jung, Jang	Hun Hee, Son	Dong Kon, Lee	Z : PIN LENGTH (According to customer's request)	DATE : 1999.01,14	TOLERANCE : ±0.2 (Unless otherwise specified)	UNIT : m/m
주식회사 대흥보빈 DAE HEUNG BOBBIN CO., LTD			TITLE ER 33*35 (14P) "V"		DWG NO DH-990114-3008-01	