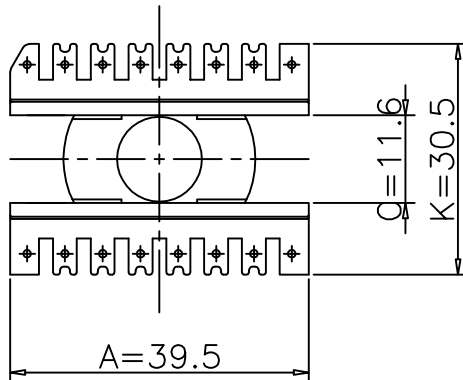
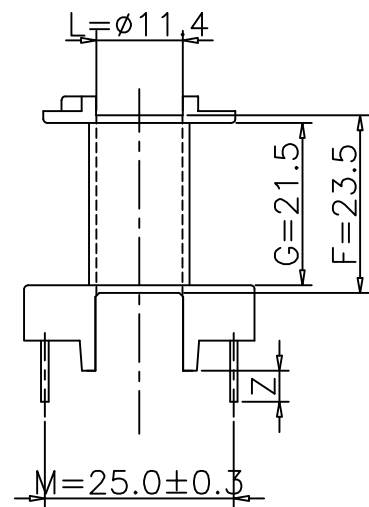
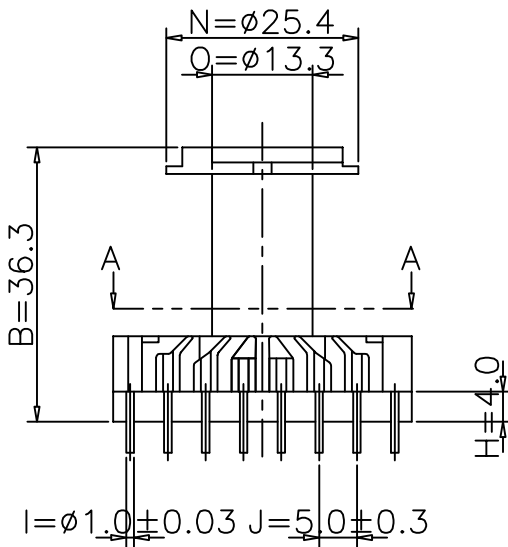


SECTION A-A



MARK	REVISION NOTE	DATE	DRAWN	CHECKED	APPROVED
4					
3					
2					
1					

DRAWN	CHECKED	APPROVED	MATERIAL : PHENOL	UL REC. : UL94V-0	THIRD ANGLE PROJ.	SCALE : 1/1
Kim Yu-Bae		Lee Dong-Kon	Z : PIN LENGTH (According to customer's request)	DATE : 2002,04,19	TOLERANCE : ±0.2 (Unless otherwise specified)	UNIT : m/m
주식회사 대흥보빈 DAE HEUNG BOBBIN CO., LTD			TITLE ER 34*35 (16P) "V"		DWG NO DH-020419-3013-03	