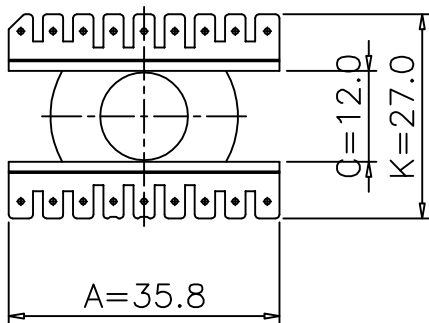
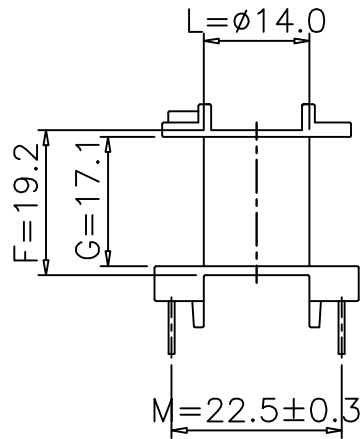
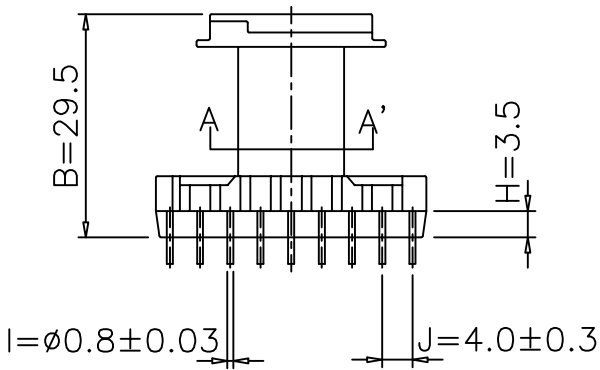


SECTION A-A'



④							
③							
②							
①							
MARK	REVISION NOTE			DATE	DRAWN	CHECKED	APPROVED

DRAWN	CHECKED	APPROVED	MATERIAL : PHENOL	UL REC. : UL94V-0	THIRD ANGLE PROJ.	SCALE : 1/1
Min Ah, Cho		Dong Kon, Lee	Z : PIN LENGTH (According to customer's request)	DATE : 2003.08.06	TOLERANCE : ±0.2 (Unless otherwise specified)	UNIT : m/m
주식회사 대흥보빈 DAE HEUNG BOBBIN CO., LTD			TITLE ER 35*30 (18P) "V"		DWG NO DH-020608-3014-04	