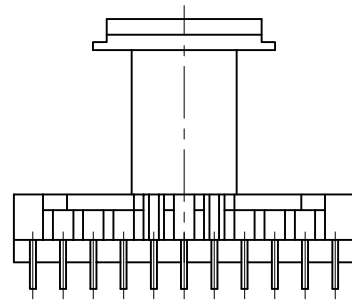
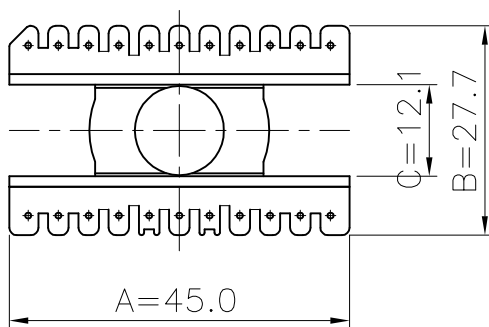
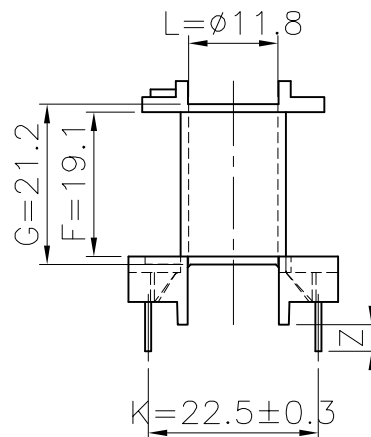
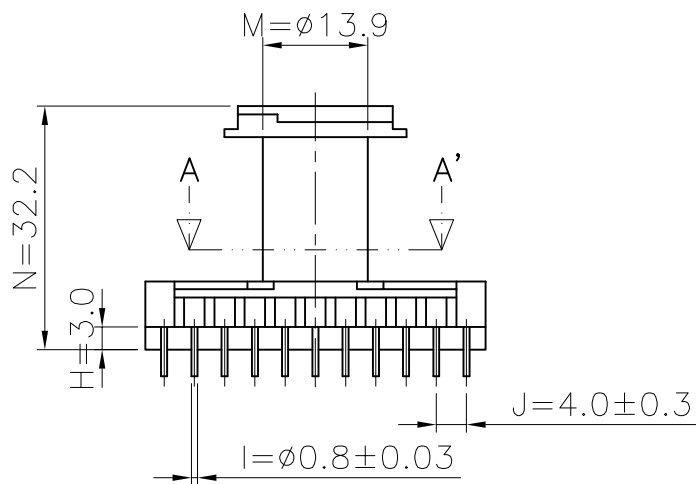


SECTION A-A'



4							
3							
2							
1							
MARK	REVISION NOTE			DATE	DRAWN	CHECKED	APPROVED
DRAWN	CHECKED	APPROVED	MATERIAL : PHENOL	UL REC. : UL94V-0	THIRD ANGLE PROJ.	SCALE : 1/1	
Hyo Soon, Moon	Young Hwan, Seo	Jin Oh, Yoo	Z : PIN LENGTH (According to customer's request)	DATE : 2003.04.03	TOLERANCE : ±0.2 (Unless otherwise specified)	UNIT : m/m	
주식회사 대흥보빈 DAE HEUNG BOBBIN CO., LTD			TITLE ER 35*34 (22P) "V"		DWG NO DH-030403-3014-05		