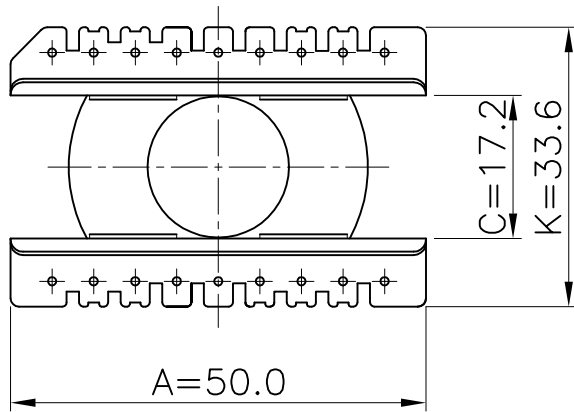
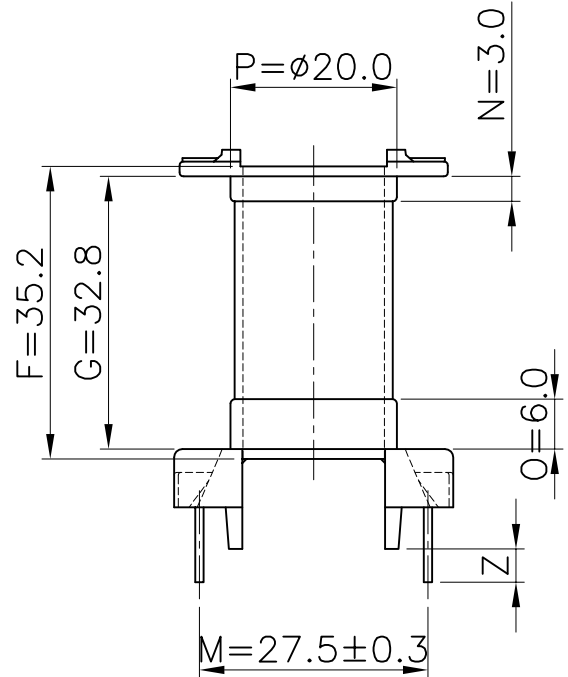
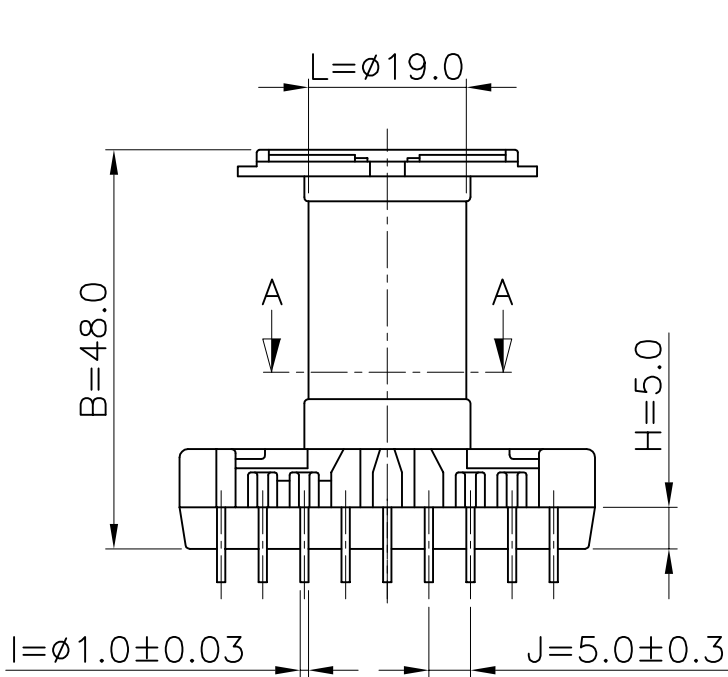


SECTION A-A



④							
③							
②							
①							
MARK	REVISION NOTE			DATE	DRAWN	CHECKED	APPROVED
DRAWN	CHECKED	APPROVED	MATERIAL : PHENOL	UL REC. : UL94V-0	THIRD ANGLE PROJ.	SCALE : 1/1	
Hye Lan, Hwang	Jin Tae, Kim	Dong Kon, Lee	Z : PIN LENGTH (According to customer's request)	DATE : 2007,04,28	TOLERANCE : ±0.2 (Unless otherwise specified)	UNIT : m/m	
주식회사 대흥보빈 DAE HEUNG BOBBIN CO., LTD			TITLE ER 49*50 (18P) "V" (A)		DWG NO DH-911020-3055-00		